



## CT-MEC

# Multi-Leg Extension/Leg Curl

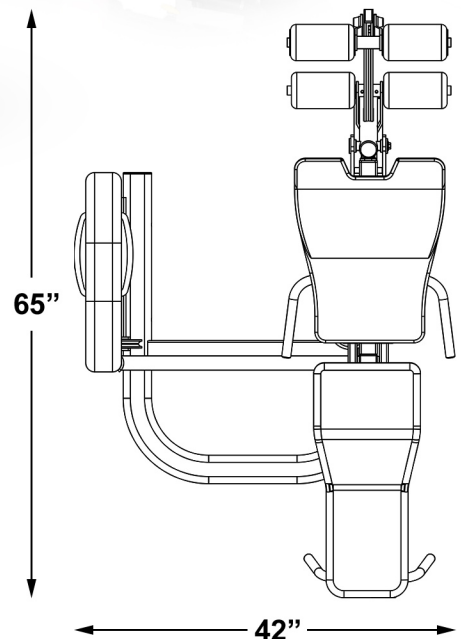


### STANDARD FEATURES

- ✓ Rollers automatically adjust for greater ankle comfort.
- ✓ Lying Leg Curl position assists in protecting your lower back.
- ✓ One simple back adjustment makes this machine easy to use.
- ✓ 2" x 4" flat oval tubing, ¼" dia. 4000 pound cable and 4 ½" pulleys for rugged durability.

### OPTIONAL FEATURES

- ✓ Steel shrouds powder coated and clear coated for a mar resistant lustrous finish.
- ✓ Standard 200 lb. tiered weight stack is upgradeable in 50 lb. increments to 300 lbs.



Visit [www.inflightfitness.com](http://www.inflightfitness.com) to see our entire line of exercise equipment.